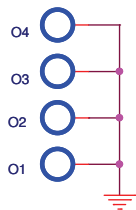
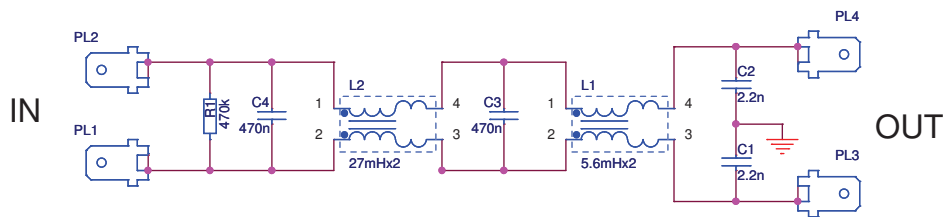
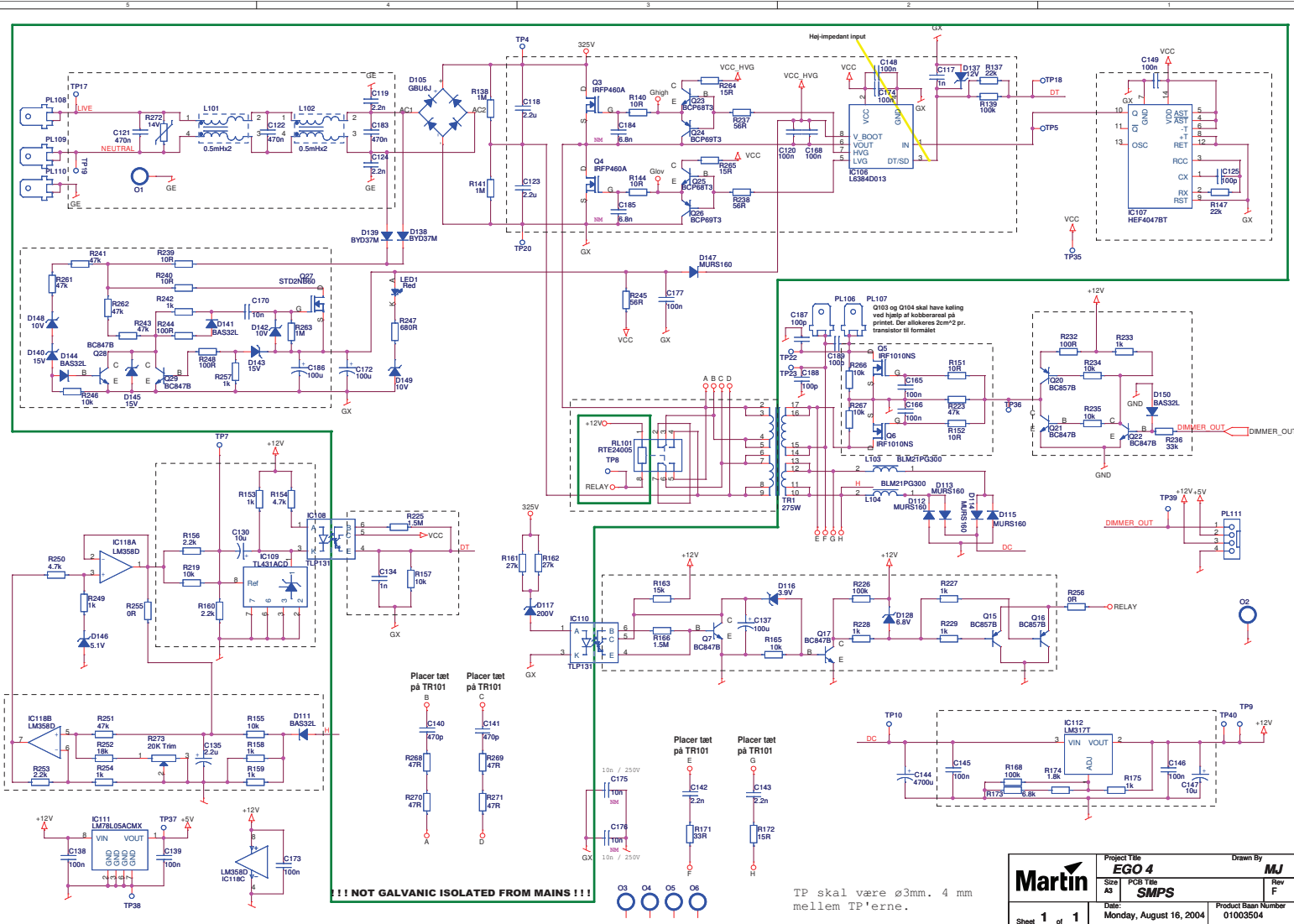


| | | |
|-------------------|--------------------------|--------------|
| Title | | |
| EgoX 4 - Musicrig | | |
| Size | Document Number | Rev |
| A | 01001535 | G |
| Date: | Thursday, April 07, 2005 | Sheet 2 of 2 |



| | | |
|----------|-----------------------|--------------|
| Title | | |
| 01004026 | | |
| Size | Document Number | Rev |
| A | Main Filter Ego DMX | B |
| Date: | Friday, June 11, 2004 | Sheet 1 of 1 |



!!! NOT GALVANIC ISOLATED FROM MAINS !!!

TP skal være ø3mm. 4 mm mellem TP'erne.

| | | | | |
|--------------|---------------|-------------------------|--------------------|----------|
| | Project Title | EGO 4 | Drawn By | MJ |
| | Size | A3 | PCB Title | SMPS |
| | Date | Monday, August 16, 2004 | Product Bsn Number | 01005504 |
| Sheet 1 of 1 | | | | |